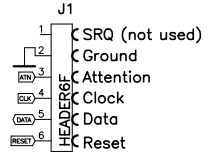
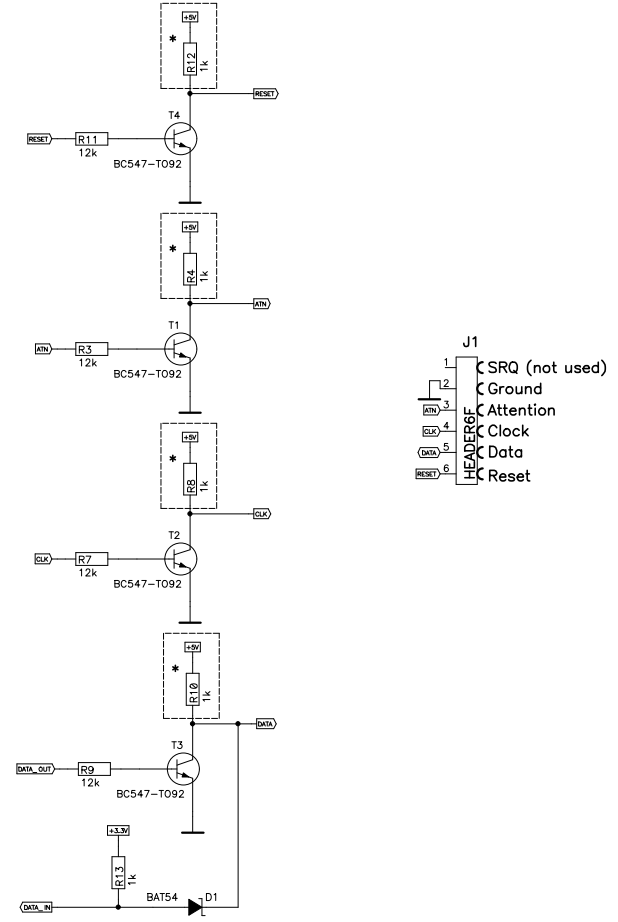


* : Pull-up is not required if already present in the printer.
 The Brother HR-5C has these pull-ups, so we do not need to place them on our board too.
 This reduces the requirement of a 5V voltage supply.



IO_3=i2SO_DATA (also RXD)
 IO_2=i2SO_WS (must be high on powerup/reset)
 IO_15=i2SO_BCK (must be low on reset/power-on)

Title			Commodore IEC serial, RSS feed printer		
Size	Number			Rev	1
Date		April 2022	Drawn by		J.Derogee
Filename		Sheet 1		of 1	