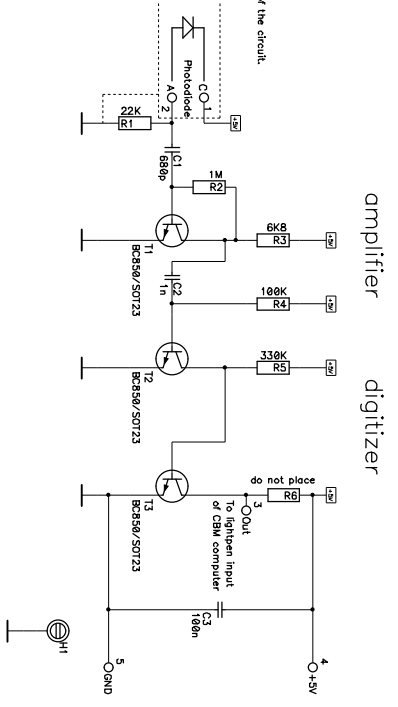


Apply proper shielding around photodiode.
Metal tube or shielding tape. Make sure that the shielding is properly connected to the GND of the circuit.



The joystick port#1 uses
pin 3 = trigger (connect to GND via microswitch in hammer handle)
pin 6 = lightpen input
pin 7 = +5V
pin 8 = GND

Photodiode:
Basically only photo diode that can detect visible light and is fast enough to detect a pixel will autohuber for a lightgun.
Infrared photodiodes are not useable as TV's are designed to output visible light and not infrared.

Title		Lighthammer	
Size	Number	Rev	
A2		2.0	
Date	2016-07-27	Drawn by	J.Deroogee
Filename	lighthammer.SCH	Sheet	1 of 1